

Merchandise Express™ Kit 08

ME-K-08

Merchandise Express™ is a portable point of purchase display system that features simple black metal frames, lighting, shelving, pegboards and push-fit fabric graphics to deliver products and messaging with an impact! Convenient rolling carry bags make transportation easy.



features and benefits:

- **NEW**
- 19'w full height straight backwall
- Black metal frames with support feet
- Two rolling carry bags two accessory bags included
- Kit includes: frame, 6 fabric graphic panels, 2 Lumina 200 LED lights, 2 pegboards and 8 adjustable height shelves
- One year limited hardware warranty against manufacturers defects

dimensions:

Hardware

Graphic

Assembled unit:

225.91" w x 94.92" h x 23.622" d
5738mm(w) x 2411mm(h) x 600mm(d)

Approximate weight:

207.1 lbs / 93.94 kgs

Shipping

Shipping dimensions – ships in two boxes:

Each box: 58" l x 18" h x 16" d
1346mm(l) x 457mm(h) x 406mm(d)

Approximate shipping weight:

223 lbs / 101.2 kgs

Total visual area:

Graphic Panels A, B, C, D, E and F:
36.875" w x 93.25" h

Please be sure to include a 2" bleed around the perimeter.

Refer to related graphic template for more information.

Visit: www.exhibitors-handbook.com/graphic-templates

additional information:

Optional a la carte accessories:

Shelf Full Kit 1 (1 Shelf):
BME1-SHLF-FK1

Shelf Full Kit 2 (2 Shelves):
BME1-SHLF-FK2

Pegboard Full Kit 1 (1 Pegboard):
BME1-DSPLY-PNL-FK1

Pegboard Full Kit 2 (2 Pegboards):
BME1-DSPLY-PNL-FK2

Accessory Combo Kit (1 Shelf & 1 Pegboard):
BME1-ACC-CMB

Monitor Bracket Full Kit:
BME1-MB

Graphic material: dye-sublimated fabric

Max weight per pegboard = 10 lbs / 4.5 kgs

Max weight per shelf = 10 lbs / 4.5 kgs

Lumina 200 LED - 25 LED watts

*Kit does not include fashion products

Hard case options available for shipping. Call your sales representative today for more information.

We are continually improving and modifying our product range and reserve the right to vary the specifications without prior notice. All dimensions and weights quoted are approximate and we accept no responsibility for variance. E&OE. See Graphic Templates for graphic bleed specifications.

Parts Included:

Qty	Description
12	Horizontal bar (HZ-BAR)
6	Hanging bar (HNG-BAR)
7	Vertical pole top (VPL-T)
5	Vertical pole bottom for foot (VPL-BTM)
2	Vertical pole bottom with raised pad (VPL-BTM-RP)
2	Foot
8	Shelf Kit
2	Pegboard Kit
2	Spot Light Connector

Packing Solution:

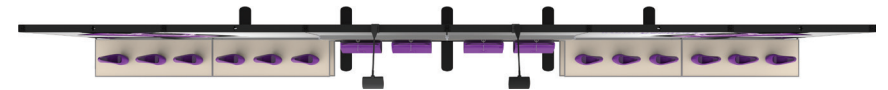
Hard case options available for shipping. Call your sales representative for more information. Below are lists of content per carry bag and accessory bag.

Two Rolling Carry Bags:

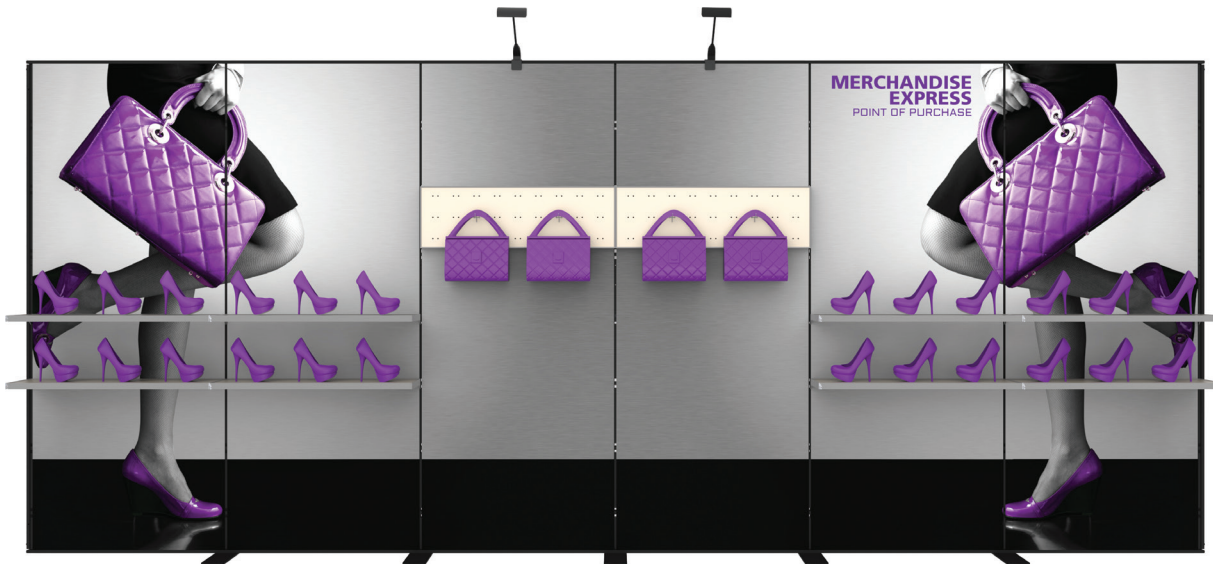
- all vertical posts

Two Accessory Bags:

- all horizontal bars
- all hanging bars
- feet
- accessories



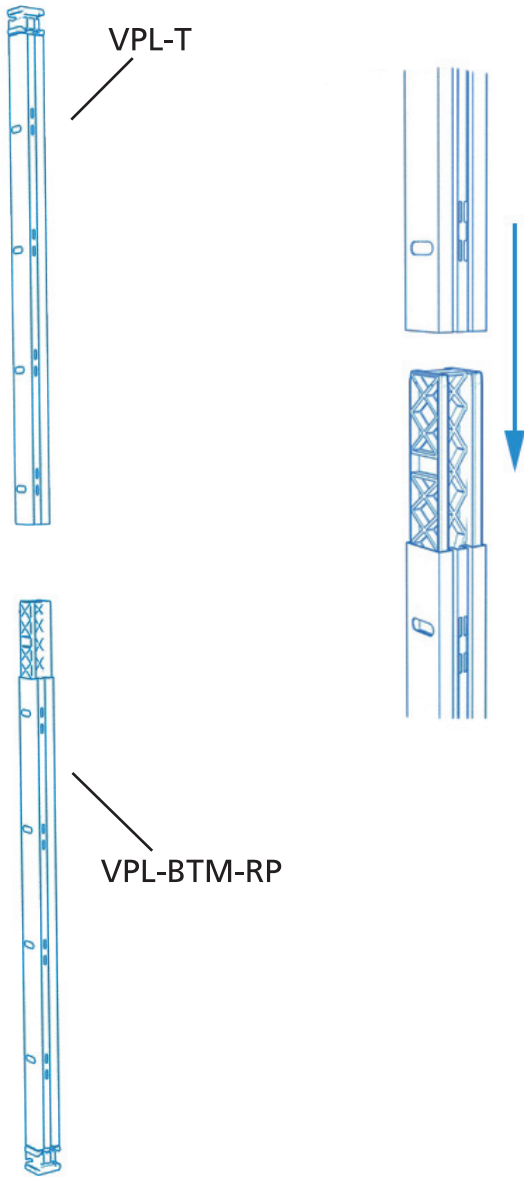
TOP VIEW



ASSEMBLED VIEW

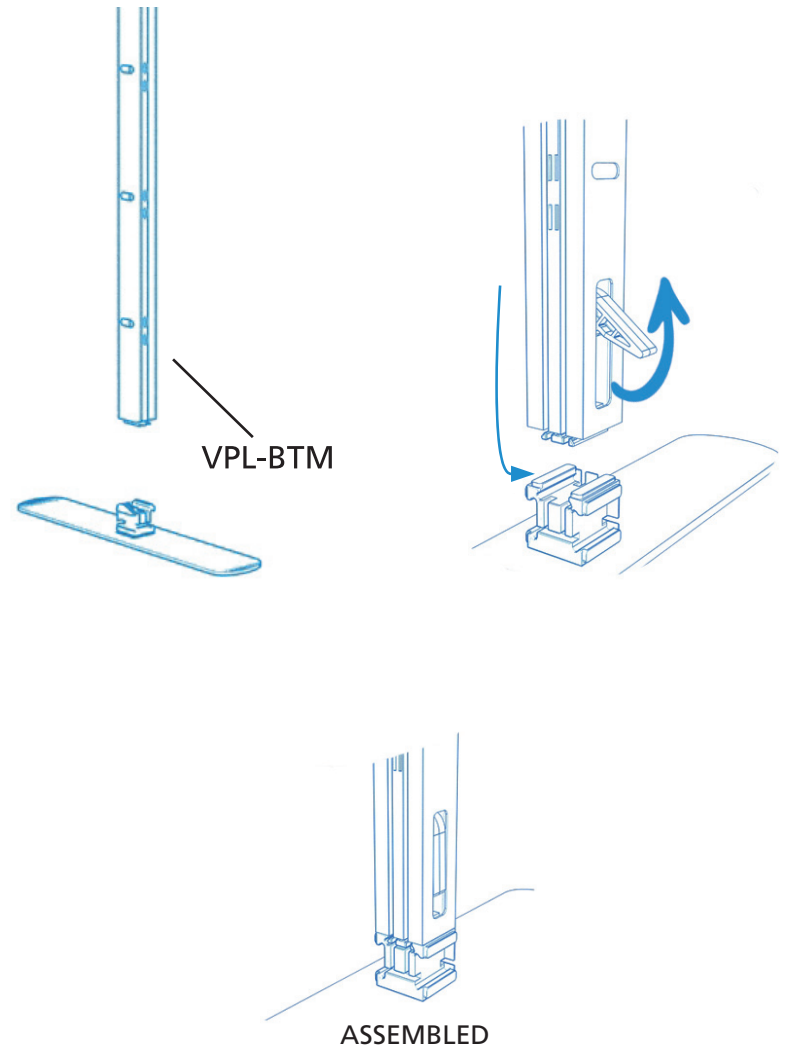
Step 1: Assemble Outside Vertical Posts

Assemble right outside post by sliding top vertical post (VPL-T) to bottom vertical post (VPL-BTM-RP.) Repeat for left outside post.



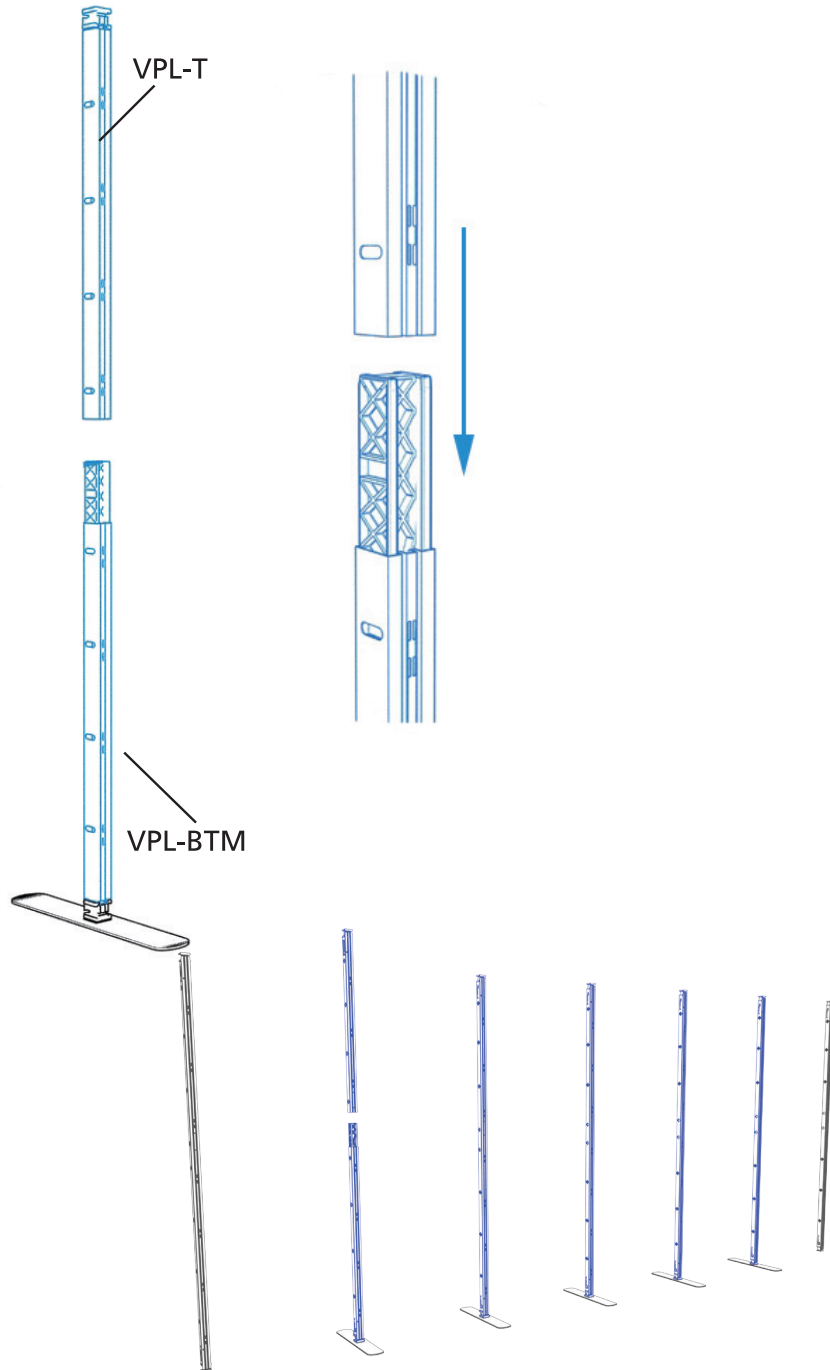
Step 2: Attach Feet to Center Posts

To attach the vertical pole bottom (VPL-BTM) to foot, lift the lever on the post and slide onto the foot. Then, push the lever down and lock the post onto the foot. Repeat for other 4 feet.



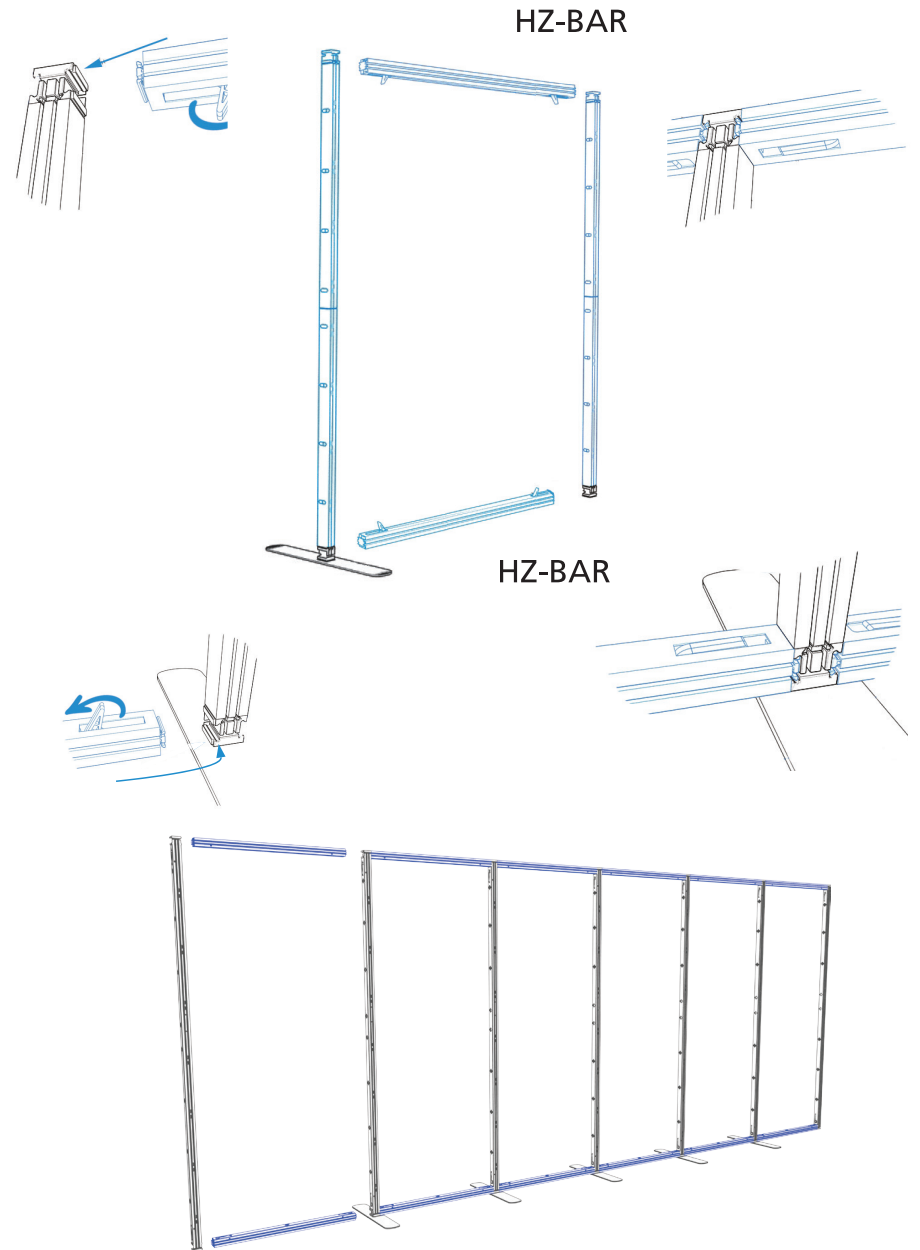
Step 3: Assemble Center Posts

Connect left center post by sliding top vertical post (VPL-T) to bottom vertical post with foot (VPL-BTM.) Repeat for all center posts.



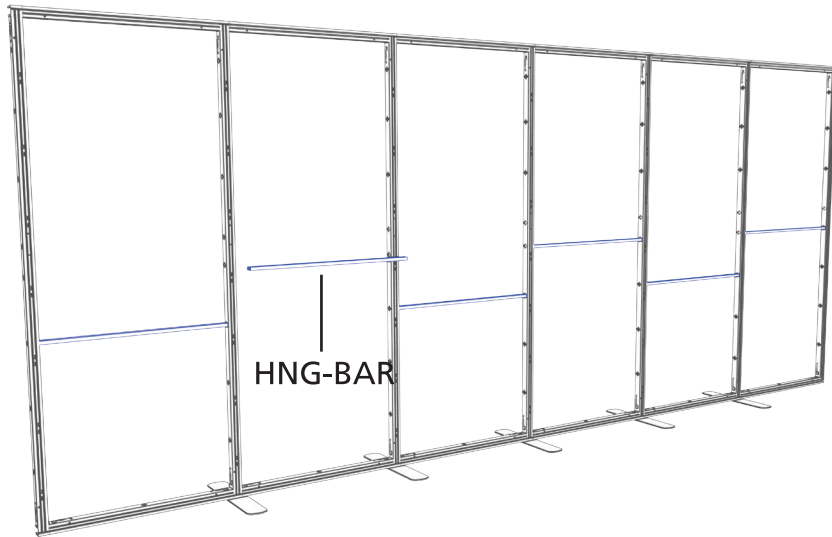
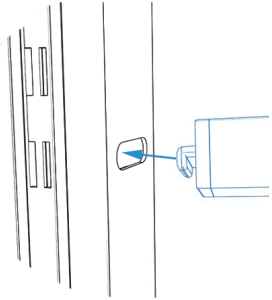
Step 4: Attach Top and Bottom Bars

Attach top and bottom horizontal bars of frame to vertical posts. First, line up the horizontal bar (HZ-BAR) with the bottom left vertical post and with the center vertical post. Lift the lever on the horizontal bar (HZ-BAR) and slide onto the left vertical post. Then, push the lever down to lock. Secure the bottom horizontal bar (HZ-BAR) by locking to the center vertical post. Repeat on top and bottom for each panel.



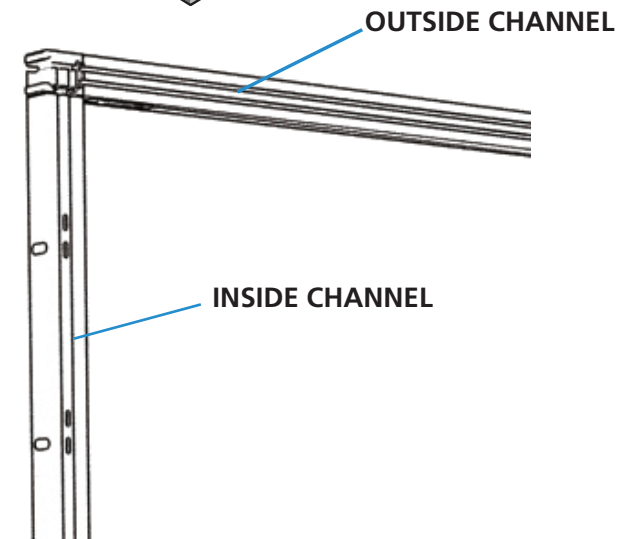
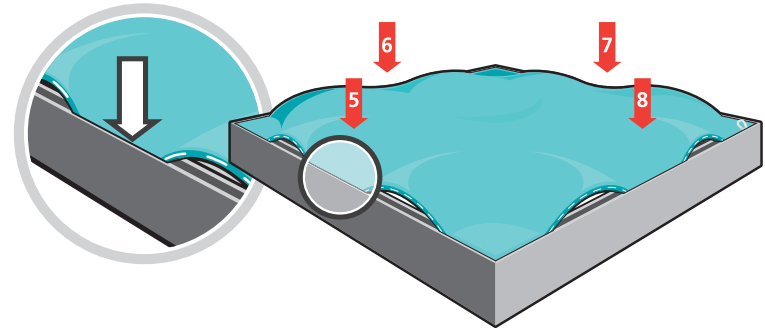
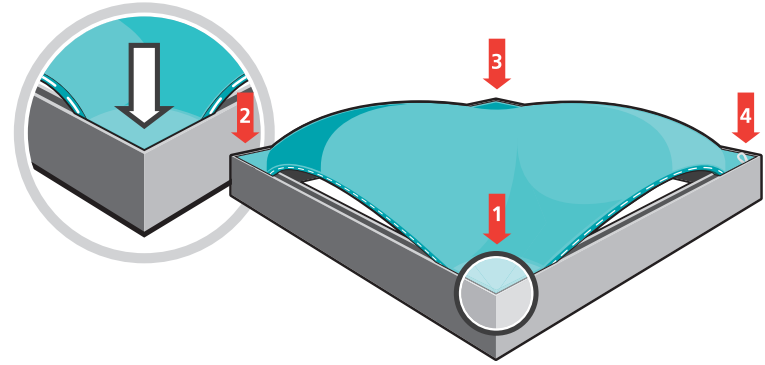
Step 5: Attach Center Support Bars

For support, hang the center support bar (HNG-BAR) in each panel. Attach support bars by connecting in vertical post notches. Repeat for each panel. Stagger the center support bars across kit.



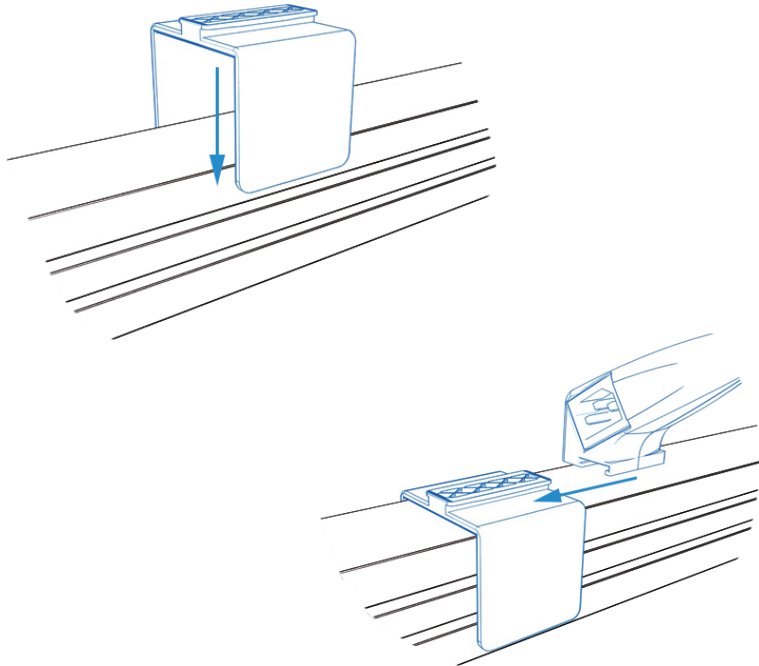
Step 6: Apply Graphics

Install graphics by folding the graphic over the silicone edge. Start by inserting graphic into each corner of each panel. Graphic inserts into inside channels on the right and left sides and the outside channel on top and bottom. Then push the graphic into the channel around the perimeter of the frame. Assure each graphic is tightly inserted. When taking graphics off, take care to gently pull by attached pull tab.



Step 7: Attach Lighting

To attach lighting, slide light connector onto the top horizontal bar (HZ-BAR) at desired location. Then, slide LUM 200 LED light onto the dovetail on top of the connector.



Step 8: Attach Pegboards & Shelving

Attach pegboards and shelving by connecting to vertical post notches at desired height location. Repeat for each pegboard and shelf.

